



## Current Probe P16 1500A / 5A

The P16 1500A / 5A current probe has been designed for use with multimeters, recorders, power analysers, safety testers etc. for accurate non intrusive measurement of AC current. Using the latest transformer technology, the P16 1500A / 5A can measure currents from 10 A to 1800 A over a frequency range of 30Hz to 10kHz.



### Electrical Characteristics

Current Range $I_N$ .....	: 1500 A <sub>RMS</sub>
Measuring Range.....	: 10 A to 1800 A <sub>RMS</sub>
Output Sensitivity .....	: 3.33 mA / A
Load Impedance .....	: $\leq 0.2$ Ohm
Conductor Position Sensitivity.....	: 0.5% @ 50Hz
Error due to adjacent conductor .....	: $\leq 5$ mA / A @ 50 Hz
Phase Shift at 2 kHz @ 10A .....	: 2°
Frequency Range .....	: 30 Hz to 10 kHz
Temperature Coefficient .....	: 0.01% / °C
Working Voltage (see Safety Standards section) .....	: 600 V AC <sub>RMS</sub> or DC

### Accuracy

Primary Current	10 to 100A	100 to 500A	500 to 1000A	1000 to 1800A
Accuracy (of rdg)	2.5% +5 mA	2%	1%	0.5%
Phase Error (typ)	3.5°	2.5°	1°	0.5°

### General Characteristics

Maximum Conductor Size .....	: 80 mm diameter
Output Connection .....	: 4 mm safety socket
Operating Temperature Range .....	: -10 to +55 °C
Storage Temperature Range .....	: -40 to +70°C
Operating Humidity .....	: $\leq 85\%$
Weight.....	: 2000 g

**Reference conditions:** Temperature : +18°C to 26 °C, humidity: 20 to 75% RH, sinusoidal current: 48 to 65Hz, distortion factor: < 1%, DC current: none, DC magnetic field: 40 A/m earth's magnetic field, alternating magnetic field: none, proximity of external conductor: none, primary conductor: centred in the aperture, load impedance:  $\leq 1\Omega$  for current output.

## Safety Standards

IEC61010-1: 2010  
IEC61010-2-032: 2012  
IEC61010-2-031: 2008

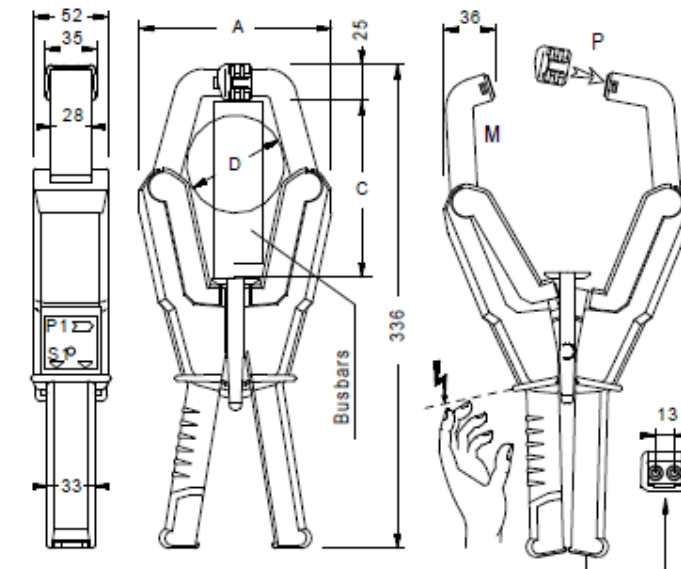
600 V<sub>RMS</sub>, Category III, Pollution Degree 2

Use of the probe on **uninsulated conductors** is limited to 600 V AC<sub>RMS</sub> or DC and frequencies below 1 kHz.

## EMC Standards

EN 61326 :1998

## Dimensions



Dimensions mm

	A	C	Cable ø D	Busbars	Poids
E16	119	130	54	100x30 120x20	
H16	133	126	68	112x38 122x30	
P16	146	128	80	100x57 120x48	

Douilles  
de  
sécurité