

Current Probe SC.3C 100A-1000A/ 1V

The SC.3C 100A-1000A/ 1V current probe is based on Hall Effect technology for use in measurement of both DC and AC current. The SC.3C 100A-1000A/ 1V may be used in conjunction with multimeters, recorders and other suitable equipment for accurate non intrusive current measurement.



Electrical Characteristics

Current Range	: 100 A and 1000 A AC _{RMS} or DC
Measuring Range.....	: 2 A to 100 A & 10 A to 1200 A
Output Sensitivity	: 10mV /A & 1 mV/A
Resolution	: ± 20 mA
Load Impedance	: ≥ 1MΩ and ≤ 100 pF
Bandwidth	: DC to 10 kHz (-3dB)
Conductor Position Sensitivity.....	: ± 1.5% relative to centre reading
Temperature Coefficient	: ± 0.1% of reading / °C
Power Supply	: 9 V Alkaline, MN1604/PP3
.....	: 75 Hours, low battery indicator
Working Voltage (see Safety Standards section)	: 600 V AC _{RMS} or DC

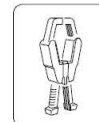
Accuracy

100A

Primary current	2 to 10A	10 to 20 A	20 to 100A
Accuracy	±2%±5 mV	±2%	±1%
Phase shift (typ)	Non spécifié	< 1°	<1°

1000A

Primary current	10 to 100A	100 to 500 A	500 to 1000A
Accuracy	±2%±5 mV	±2%	±1%
Phase shift (typ)	< 2°	< 1°	< 1°



General Characteristics

Maximum Conductor Size	: 50 mm diameter
Output Connection	: 4mm sockets
Zero	: Manual adjust via thumbwheel
Operating Temperature Range	: 0 to +50 °C
Storage Temperature Range (with battery removed).....	: -20 to +85 °C
Operating Humidity	: 15% to 85% (non condensing)

Reference conditions: Temperature : +18°C to 26 °C, humidity: 20 to 75% RH, sinusoidal current: 48 to 65Hz, distortion factor: < 1%, DC current: none, DC magnetic field: none, alternating magnetic field: none, proximity of external conductor: none, primary conductor: centred in the aperture, load impedance: $\geq 1\text{M}\Omega$, <100pF for voltage output.

Safety Standards

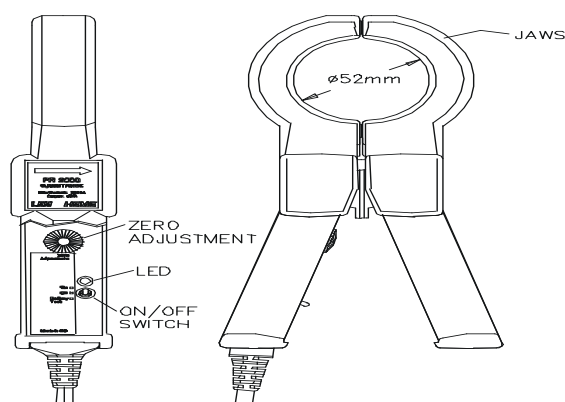
IEC61010-1: 2010
IEC61010-2-032: 2012
IEC61010-2-031: 2008

600 V_{RMS}, Category III, Pollution Degree 2

Use of the probe on **uninsulated conductors** is limited to 600 V AC_{RMS} or DC and frequencies below 1 kHz.

Dimensions

in mm



Note : version shown with cable output

Specifications subject to change without notice