

AC/DC Current Probes HE Series External Power

The new HE series of externally powered current probes are based on Closed Loop Hall Effect technology for accurate measurement of both AC and DC currents.



SPECIFICATION			
MODEL	UP 5A/5V	UP 50A/5V	UP 150A/7.5V
Current Range	5A DC or AC _{RMS}	50A DC or AC _{RMS}	150A DC or AC _{PEAK}
Output Sensitivity	1000 mV/A	100 mV/A	50 mV/A
Basic Accuracy	±1% of reading ± 2mA		
Frequency Range	DC to 100kHz (-1dB)		
Conductor Position Sensitivity	±0.2% relative to centre reading		
Error due to Earth's Magnetic Field	±10 mA max		
External Field Rejection Ratio	500:1		
Load Impedance	> 10kΩ and ≤ 100pF		
Maximum Conductor Size	32 mm		
Working Voltage	300V AC _{RMS} or DC		
Output Connection	2.9 m cable unterminated		
Operating Temperature	0°C to 50°C		
Temp. Coefficient	± 0.02% of reading per °C		
Relative zero correction	Auto zero at switch on		
Zero Offset (+25 °C)	±100mA max		
Zero Drift (0 °C to +50 °C)	± 20mA / °C		
Storage Temperature	-20°C to 85°C		
External Power Supply	±10.5 to ±16 V		
Current Consumption	30mA + 1mA/A measured (200mA max)		
Jaws Open Status	0V (Lo) – Status LED illuminated		
Jaws Closed Status	+ V Supply (Hi) – Status LED Not illuminated		

All Accuracies Stated at: 23°C ± 1°C

Safety Standards

EN 61010-1
EN 61010-2-032

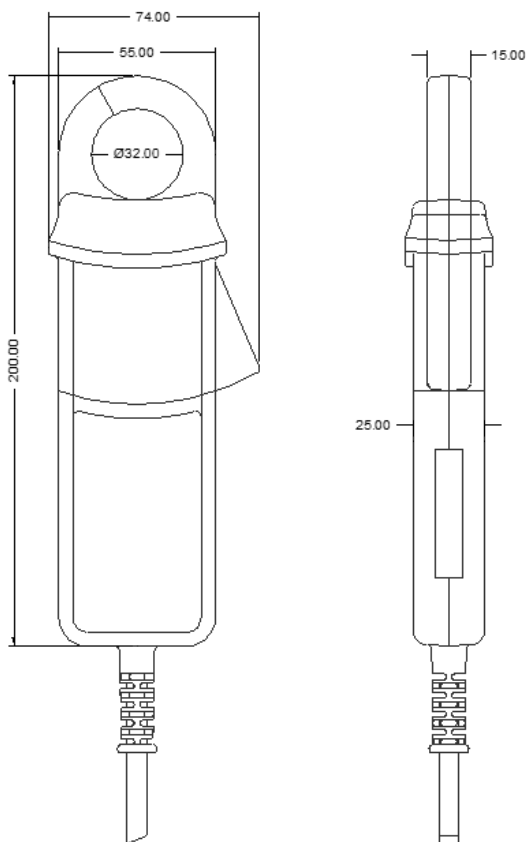
300V RMS Measurement Category III
Pollution Degree 2

EMC Standard

EN 61326-2-2

Dimensions

in mm



Power Supply Connection

Colour	Function
Red	+ Supply
Blue	- Supply
Green	0V
White	Output
Black	Output (0V)
Yellow	Jaw Status