



## Current Probe P75.3C 5000A/2V - 7500A/ 1.5V

The P75.3C 5000A/2V - 7500A/ 1.5V current probe has been designed for use with multimeters, recorders, power analysers, safety testers etc. for accurate non intrusive measurement of AC/DC current. Using Hall effect technology, the P75.3C 5000A/2V - 7500A/ 1.5V can measure currents from 40 A to 7500 A over a frequency range of DC to 1kHz.



### Electrical Characteristics

Current Range $I_N$ .....	: 5000A and 7500A
Measuring Range.....	: 40 A to 7500 AC/DC
Output Sensitivity.....	: 0.4 mV / A and 0.2 mV / A
Load Impedance.....	: $\geq 100$ kOhm
Conductor Position Sensitivity.....	: 0.5% @ 50Hz
Error due to adjacent conductor.....	: $\leq 10$ mA / A @ 50 Hz
Power supply.....	: 9 V Alkaline, 75 Hours, low battery indicator
Output zero.....	: Manual adjust via thumbwheel
Frequency Range.....	: DC Hz to 1 kHz
Working Voltage (see Safety Standards section).....	: 600 V AC <sub>RMS</sub> or DC

### Accuracy

#### 5000A

Primary Current	40 to 100 A	100 to 500A	500 to 2000A	2000 to 5000A
Accuracy (of rdg)	2%+3mV	1.5% +3 mV	1% +3 mV	1% +10 mV
Phase Error	3°	2°	1°	1.5°

#### 7500A

Primary Current	100 to 500 A	500 to 2000A	2000 to 7000A	7000 to 7500A
Accuracy (of rdg)	2%+3mV	1.5% +3 mV	1% +3 mV	5% +10 mV
Phase Error	2°	1.5°	1.5°	2°



## General Characteristics

Maximum Conductor Size .....	: 83 mm diameter
Output Connection .....	: 4 mm sockets
Operating Temperature Range .....	: 0 to +50 °C
Storage Temperature Range .....	: -20 to +70°C
Operating Humidity .....	: ≤ 85%
Weight.....	: 2000 g

**Reference conditions:** Temperature : +18°C to 26 °C, humidity: 20 to 75% RH, sinusoidal current: 48 to 65Hz, distortion factor: < 1%, DC current: none, DC magnetic field: 40 A/m earth's magnetic field, alternating magnetic field: none, proximity of external conductor: none, primary conductor: centred in the aperture, load impedance: ≥1MΩ, <100pF for voltage output.

## Safety Standards

IEC61010-1: 2010  
IEC61010-2-032: 2012  
IEC61010-2-031: 2008

600 V<sub>RMS</sub>, Category III, Pollution Degree 2

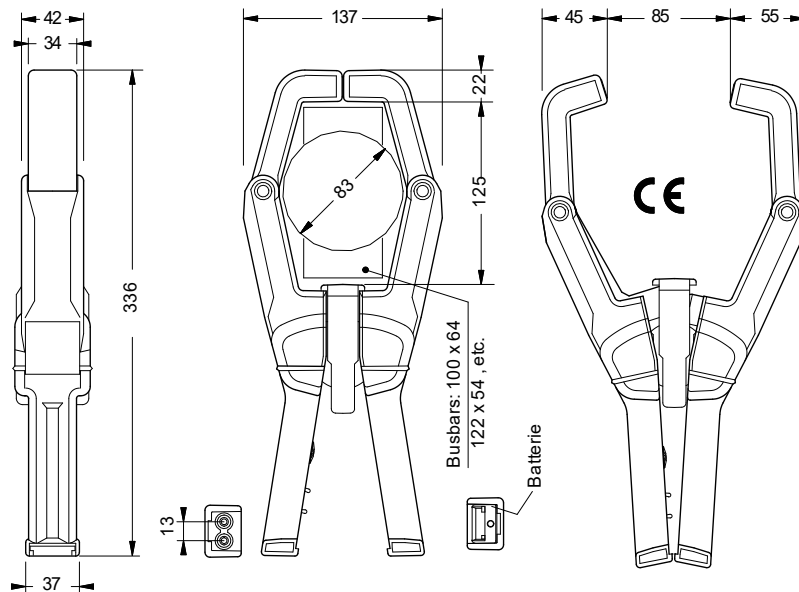
Use of the probe on **uninsulated conductors** is limited to 600 V AC<sub>RMS</sub> or DC and frequencies below 1 kHz.

## EMC Standards

EN 61326 : 1998

## Dimensions

in mm



P3C-CLP

Specifications subject to change without notice